

Haibo Zhang

# We are supported from Beginning

2005

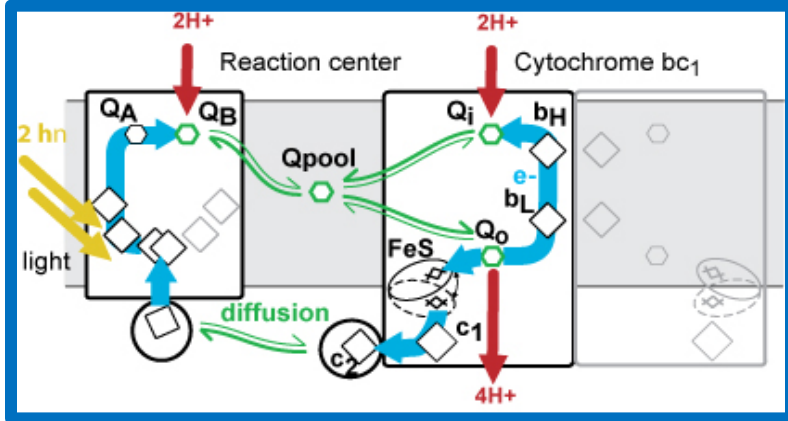


2019



# The training that benefits me today

2003 - 2008



Thanks to:

- Les for the opportunity
- All the lab members

2019



 GENE THERAPY

Spark  
THERAPEUTICS